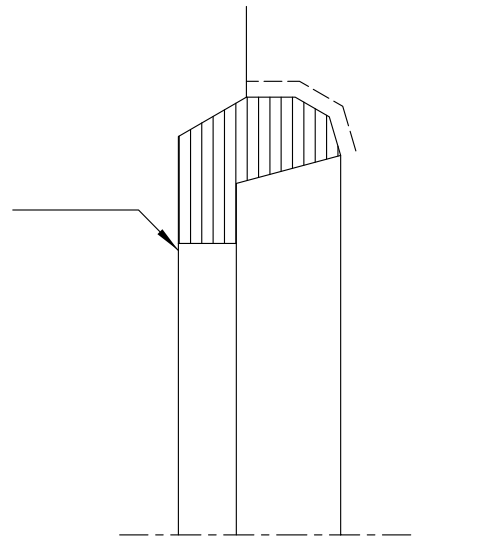
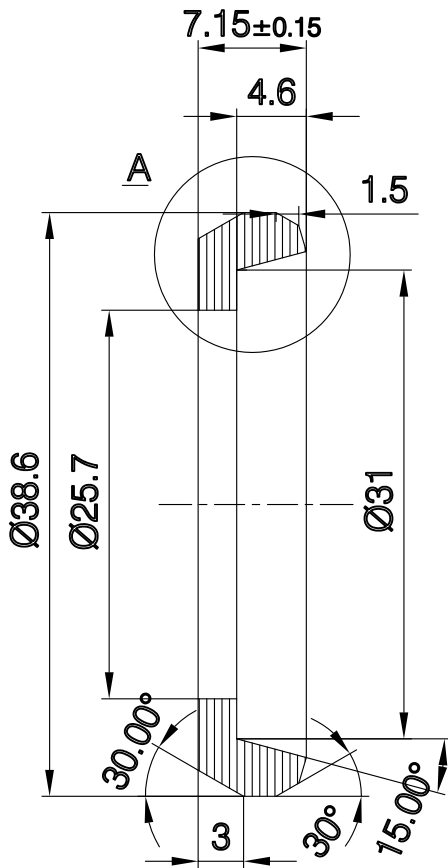
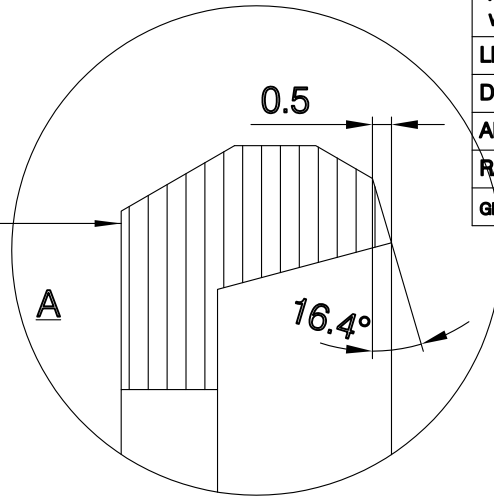


KAVITETSMÆRKNING SKAL PLACERES  
PÅ DENNE OVERFLADE.  
MAX. FREMSTÅENDE HØJDE 0.15MM.  
MAX. HØJDE PÅ KAVITETSMÆRKNING 2.0MM.


CAVITYMARKING TO BE SITUATED  
ON THIS SURFACE.  
MAX. PROTRUDING HEIGHT 0.15MM.  
MAX. HEIGHT OF CAVITYMARKING 2.0MM.

TOLERANCES	
Deviation for measurements without tolerances	
LENGHT	± 0.2
DIAMETER	± 0.2
ANGLE	± 0.5°
RADIUS	± X
GEN. ROUGHNESS	X



PAKKEFLADER -----  
SKILLEFLADER -----

MAX. GRAT I SKILLEFLADE, IND- OG UDVENDIG 0.5MM

GROSS LENGHT/M	GROSS WEIGHT/KG	DISTRIBUTION -	DATE 15-02-1999	PLOT DATE -
SURFACE/ COLOUR		SPECIFICATION	DESCRIPTION BUNDPAKN. MF-S	
MATERIAL NBR 80 SHORE A FDA		SPECIFICATION 00280		
		NAME TRN	DRW.NO. - REV.  102-787C00	
		SCALE 2:1		

THIS DRAWING IS THE PROPERTY OF MICRO MATIC A/S AND MUST NOT BE USED, DISCLOSED OR REPRODUCED WITHOUT PRIOR WRITTEN AUTHORITY.

FILENAME W:\MDOC\ARCHIVES\PRODA\BEER\102-787.dwg