

1

2

3

4

A

A

B

B

C

C

D

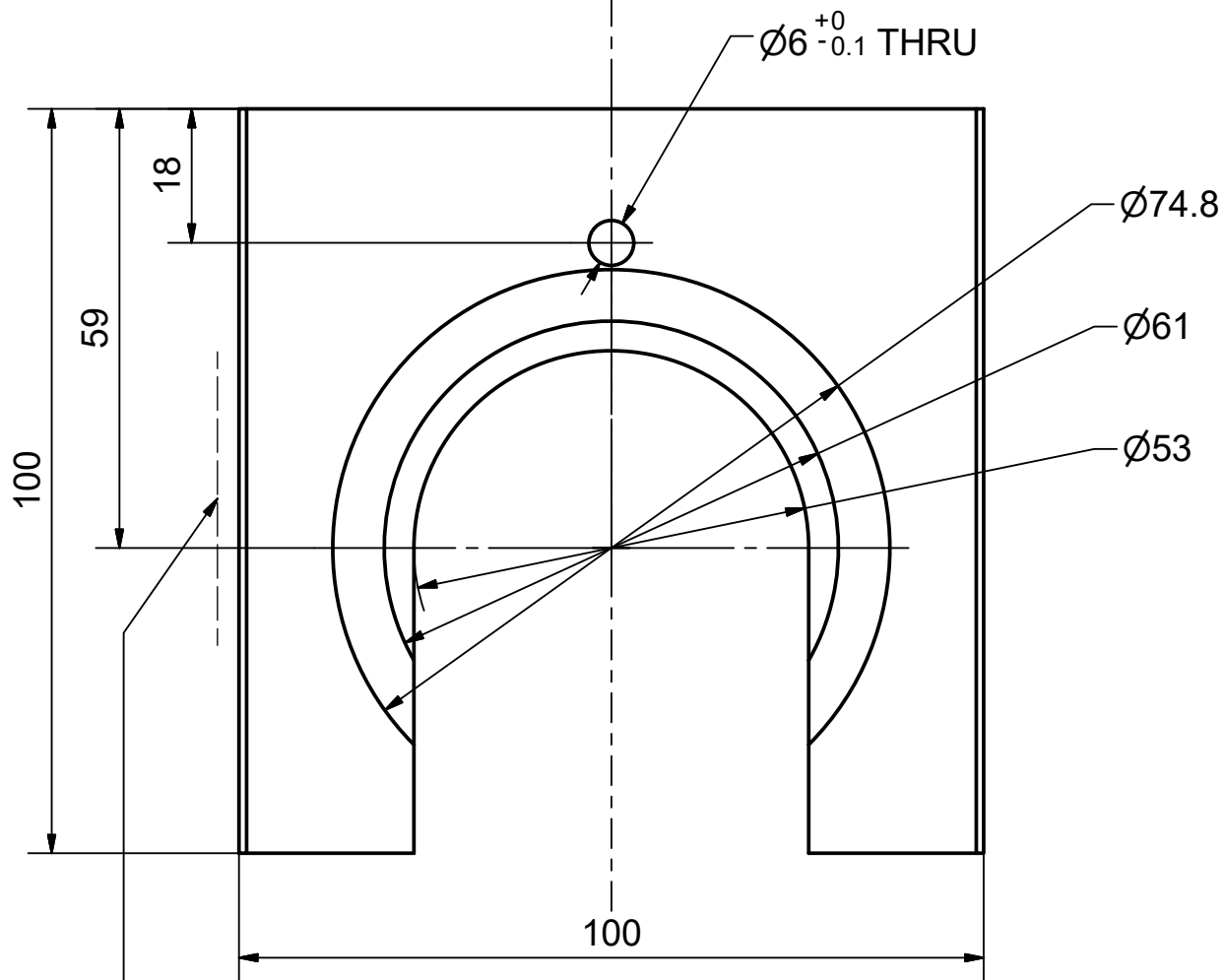
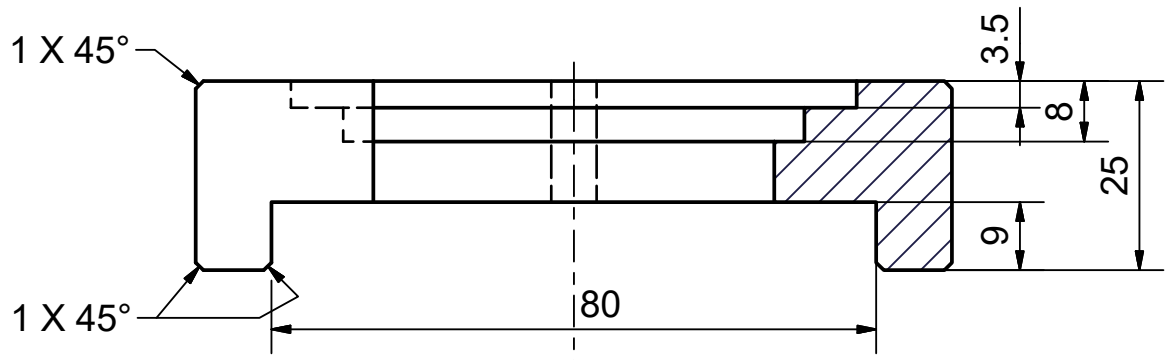
D

E

E

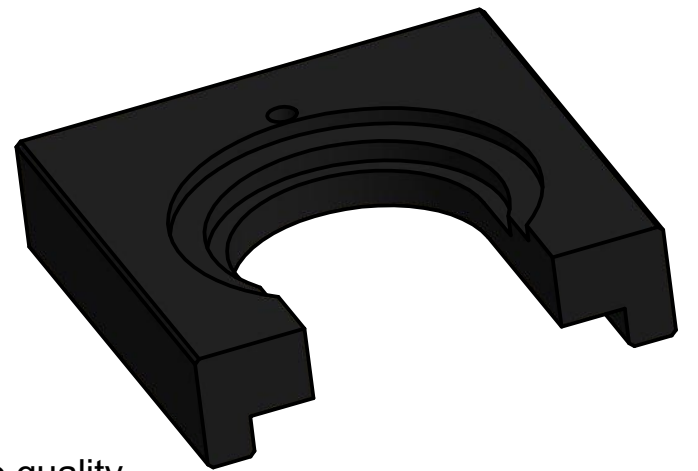
F

F




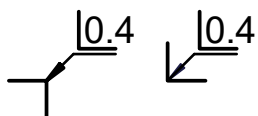
To be marked: 741-054-00
Possibly on self-adhesive label

(1 : 1,5)



No burrs or sharp edges ▲ Critical to quality

GENERAL ROUGHNESS 3.2		REVISION C3 (02-09-2015 - CATH): Changed Ø5.1 to Ø6. Updated from 2D to 3D. Added gen.tol.	
TOLERANCES Deviation for measurements without tolerances		TREATMENT SURFACE / SPECIFICATION OR COLOUR /	DESCRIPTION ADAPTOR F. AS/ ASH/ PAS F. 741-032/ 741-039
LENGTH	±0.1	MATERIAL SPECIFICATION POM (Black)	DRW.NO. - REV. 741-054C3
DIAMETER	±0.1		NET WEIGHT 129 g
ANGLE	±1 °		CREATIONDATE: 02-09-2015
RADIUS	±0.1	THIS DRAWING IS THE PROPERTY OF MICRO MATIC A/S AND MUST NOT BE USED, DISCLOSED OR REPRODUCED WITHOUT PRIOR WRITTEN AUTHORITY.	
		FILENAME: C:\Vault\WF\Designs\Tools\Beer\741-054.idw	



1

2

3

4